

# REMOTE CONTROL REPEATER



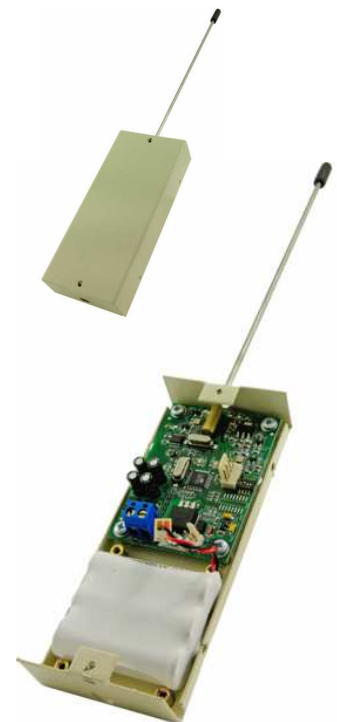
## Overview

The FSK Remote Control Repeater is used in conjunction with the FSK 433MHz Rolling-Code remote controls

It is used to increase the range of a remote control by repeating its signal to all FSK 433MHz receivers.

Up to 8 Remote Repeaters can be put on a network. A DIP switch is used to select the repeater number on the network.

The Remote Repeater contains a rechargeable standby battery for operation in the event of a power failure.



## Installation

Refer to the repeater layout in Appendix A

The Remote Repeater is intended to be mounted against a wall or other suitable location. It is mounted using the two key-holes at the back of the housing.

The Remote Repeater must be kept away from metal mounting points and other objects as these will affect the range of the unit.

### Power installation

- Remove the lid on the unit.
- Insert the wires from the AC Adapter into the screw-terminals. The orientation is not important.
- Turn on the AC Adapter. The Red Power Lamp will light and the Green Run Lamp will start blinking.
- Plug in the standby battery.

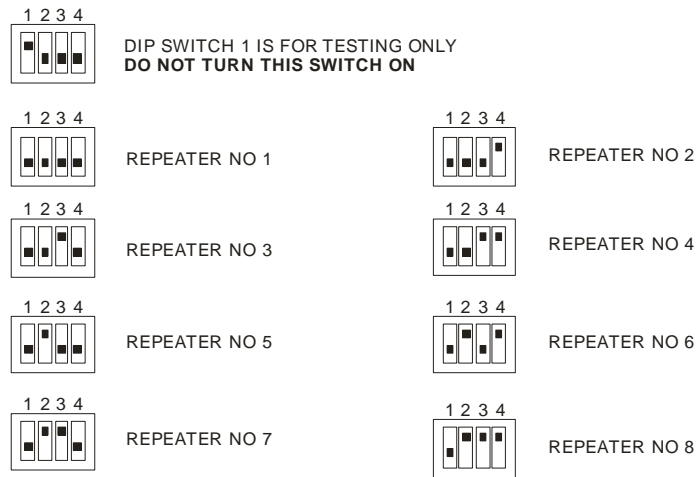
## Antenna

Screw the whip antenna into the top of the repeater until it is reasonable finger tight. Do not over-tighten the antenna.

## DIP Switch Selection

Select the repeater number on the DIP Switches

The repeaters should be selected from number 1 to number 8. For example, if you have only four repeaters, make them numbers 1,2,3,4

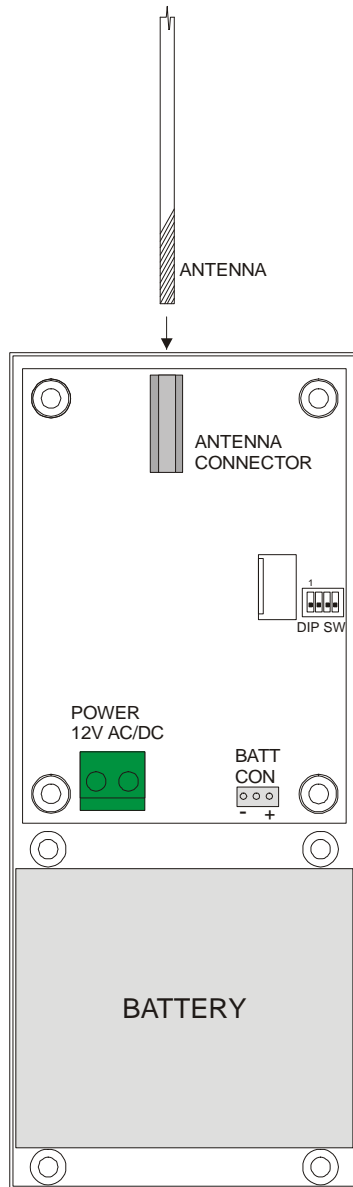


## Testing

Press any button on the FSK 433MHz remote control. Confirm that the Orange (Transmit) lamp lights (signal repeat)

Close the lid using the screws provided.

## Appendix B – Repeater Layout



---

### FSK TECHNICAL STANDBY NUMBERS:

FRANK : 082 657 7852

RICKUS : 072 595 7700